

## Z63 Adapter frame for BMR/modules

### Application

The adapter frame Z63 is a 19" frame with a DIN rail.



Content	Page
Important Information Regarding Product Safety .....	2
Item .....	3
Technical Data .....	3
Accessories (included in delivery) .....	3
Dimensions .....	3
Installation .....	4
Installation of Modules into the adapter frame Z63 .....	4
Installation of the adapter frame Z63 .....	4

Änderungen vorbehalten - Contents subject to change - Sous réserve de modifications - Reservado el derecho a modificación - Wijzigingen voorbehouden - Con riserva di modifiche - Innehåll som skall ändras - Změny vyhrazeny - Zmiany zastrzeżone - Возможны изменения - A változtatások jogát fenntartjuk - 保留未经通知而改动的权力

## Important Information Regarding Product Safety

### Safety Instructions

This data sheet contains information on installing and commissioning the product "Z63". Each person who carries out work on this product must have read and understood this data sheet. If you have any questions that are not resolved by this data sheet, you can obtain further information from the supplier or manufacturer.

If the product is not used in accordance with this data sheet, the protection provided will be impaired.

Applicable regulations must be observed when installing and using the device. Within the EU, these include regulations regarding occupational safety and accident prevention as well as those from the VDE (Association for Electrical, Electronic & Information Technologies). If the device is used in other countries, it is the responsibility of the system installer or operator to comply with local regulations.

Mounting, installation and commissioning work on the devices may only be carried out by qualified technicians. Qualified technicians are persons who are familiar with the described product and who can assess given tasks and recognize possible dangers due to technical training, knowledge and experience as well as knowledge of the appropriate regulations.

### Legend



#### WARNING

Indicates a hazard of medium risk which can result in death or severe bodily injury if it is not avoided.



#### CAUTION

Indicates a hazard of low risk which can result in minor or medium bodily injury if it is not avoided.



#### NOTICE

Indicates a hazard of medium risk which can result in material damage or malfunctions if it is not avoided.



#### NOTE

Indicates additional information that can simplify the work with the product for you.

### Notes on Disposal

For disposal, the product is considered waste from electrical and electronic equipment (electronic waste) and must not be disposed of as household waste. Special treatment for specific components may be legally binding or ecologically sensible. The local and currently applicable legislation must be observed.

**Product Description**

**Z63**

**Item**

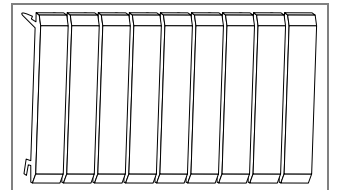
Z63 Adapter frame for BMR/modules

**Technical Data**

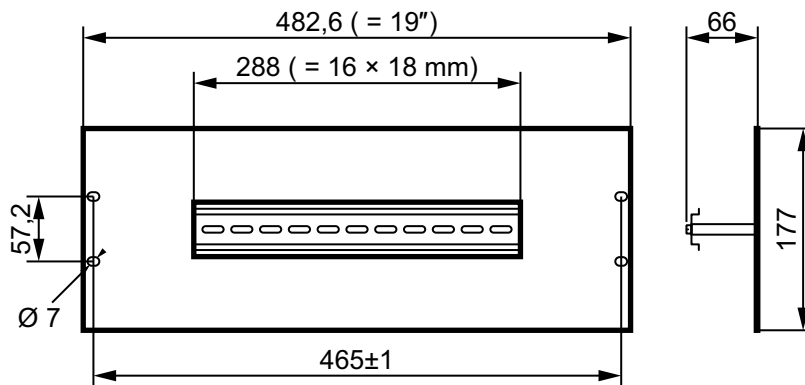
Housing Anodized aluminum  
 Weight 0,9 kg  
 Dimensions (WxHxD in mm) 482.6 x 177 x 66

**Accessories (included in delivery)**

protective strip



**Dimensions**



1 horizontal pitch (HP) is equal to 18 mm.

The amount of space available for installing modules in the Z63 is 16 HP in one row, for example 1 BMR and 2 FBUs.

Product	Width in HP
BMR410	8
FBU410	4
FBM(0)18	4
FBM(0)24	4
BMF400	4
FBS51/04	7

## Installation



### WARNING

Danger of death by electrocution  
Mount or remove only when power is switched off.

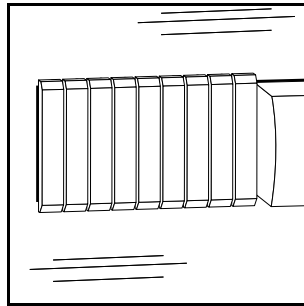
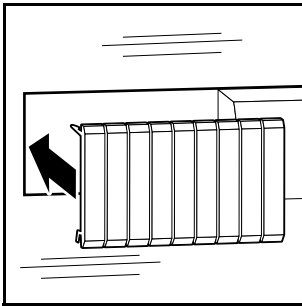
## Installation of Modules into the adapter frame Z63



### NOTE

Flap back the DIN rail for easy installation of the modules.

- ▶ After installation of the modules close all remaining openings with the included protective strip.



## Installation of the adapter frame Z63

- ▶ After installing, connect the adapter frame Z63 to a grounding conductor.

