

## Electronic Extension Timer with Delay

The ET-314 is a single-shot extension timer designed to control plant equipment such as heating, lighting or air-conditioning systems outside of normal occupancy hours. A voltage-free changeover relay output capable of switching loads of up to 10A, 250V AC is enabled for a configurable number of hours after the configurable delay period has elapsed. This enables plant equipment to be automatically activated at the correct time in the future without the user being present, or difficult reprogramming procedures needing to be performed when plant equipment must be activated outside its normally programmed operating hours. The unit is an extremely user-friendly device with touch-sensitive pushbuttons, LED displays and fully adjustable timings (in steps of 1 hour), providing simple yet powerful control of devices outside of occupancy hours.

The ET-314 combines precise and accurate operation with fully configurable parameters to provide effective energy control. This efficient timer offers an adjustable "Delay" period from 0 to 99 hours and an "Extension" period from 1 to 9 hours. The unit also provides the functionality to pre-set a maximum Extension period



at hourly intervals to ensure that the end-user does not inefficiently use the extension duration, so allowing the authorised user control over each and every extension period. When not in use, the ET-314 enters a power-saving standby mode in an effort to reduce its energy usage.

Model Type	Model	Description
	<b>ET-314</b>	Electronic Extension Timer, Extension time up to 9 hours, Delay Time Up to 99 Hours, 85-265VAC
	<b>ET-314-24V</b>	Electronic Extension Timer, Extension time up to 9 hours, Delay Time Up to 99 Hours, 18-28VAC
<b>Technical Data</b>	Power Supply	ET-314: 85-265VAC ET-314-24V: 18-28VAC/DC
	Relay Contact	250VAC (res.) 10A Change-Over Relay
	Extension Time	Up to 9 Hours
	Delay Time	Up to 99 Hours
	Operating Temp	-10 to +40°C
	Mounting	Wall Mounting on Single Gang UK Pattern Box (22mm or deeper)
	Weight	0.1 kg
	Dimensions	W86 x H86 x D26.9 mm

**Installation**

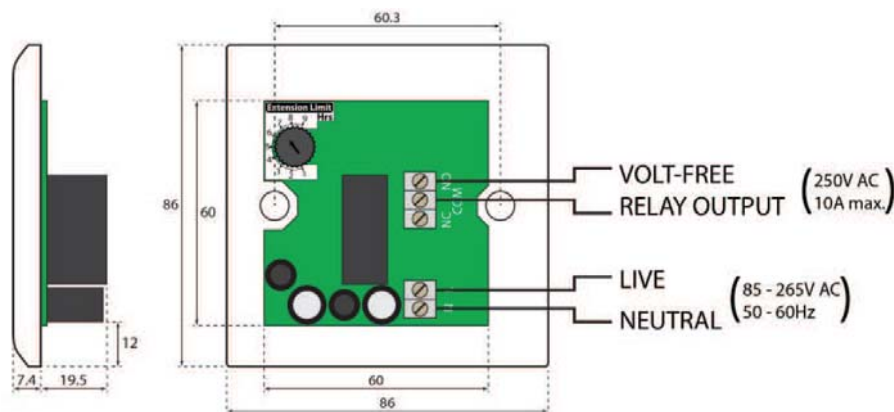
1. **IMPORTANT:** Ensure all electrical connections are isolated before commencing any work on the unit.
2. The ET-314 is designed to be mounted in a 22mm (or deeper) single-gang UK pattress box.
3. Connect the wiring to the terminal blocks on the extension timer as shown in wiring diagrams (or any suitably appropriate form). Make sure to choose the correct output terminals that are suitable to your application.
4. Adjust the "Extension Limit" dial to suit the operational requirement (see the "Operation" section).
5. Secure the ET-314 into the pattress box using the two supplied M3.5 screws.
6. Fit the supplied screw covers to complete the installation.

**Wiring Information**

ET-314 Wiring

**IMPORTANT:** Ensure all electrical connections are isolated before commencing any work on the unit.

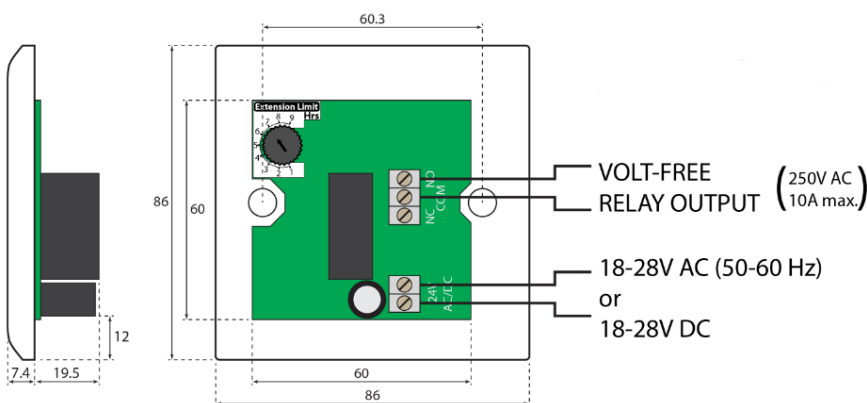
1. Power to the ET-314 extension timer is provided via the Live and Neutral input terminals labelled "L" and "N" on the circuit board. It is universally compatible with all worldwide mains power (85 - 265V AC, 50 -60Hz).
3. A voltage-free changeover relay output capable of switching loads of up to 10A, 250V AC (resistive) is provided by the extension timer.
4. The Common "COM" terminal is connected to the Normally Open "N/O" terminal during the extension period, otherwise it is connected to the Normally Closed "N/C" terminal at all other times.



ET-314-24V Wiring

**IMPORTANT:** Ensure all electrical connections are isolated before commencing any work on the unit.

1. Power to the E314/24V extension timer is provided via the 24V AC/DC input terminals. No specific polarity is necessary on the power connections.
3. A voltage-free changeover relay output capable of switching loads of up to 10A, 250V AC (resistive) is provided by the extension timer.
4. The Common "COM" terminal is connected to the Normally Open "N/O" terminal during the extension period, otherwise it is connected to the Normally Closed "N/C" terminal at all other times.



---

**Operation**

During installation, adjust the "Extension Limit" dial to select the maximum number of hours the end user may select for the extension period (typical setting: up to 4 hours).

**Operation Modes**

The ET-314 has 3 operating modes:

**Standby:** Power-saving mode where the dimmed LED displays show "0" on all digits.

**Setting Up:** Bright LED displays with the currently selected digit blinking. If no extension is activated within 2 minutes in this mode the ET-314 will revert back to the Standby mode.

**Running:** Bright LED displays with the "Running" LED blinking. The "On" LED illuminates when the extension is active. Once the extension is complete the ET-314 will revert back to the Standby mode.

"Increase" Pushbutton

**Press:** Increments the blinking digit by 1 unit (numbers will wrap-around to the minimum value when they reach the maximum value).

**Hold:** Increments the blinking digit automatically while held down.

"Select/Start" Pushbutton

**Press:** Selects the next digit to adjust (has no effect when in the "Running" mode).

**Hold:** Starts or stops the extension.

Typical Example

Setting up a 16 hour delay with a 4 hour extension period:

- a. From the Standby mode touch either pushbutton to select the first digit of "Delay" in the Setting Up mode.
- b. Touch the "Increase" pushbutton to increment the first digit to "1".
- c. Touch the "Select" pushbutton to select the second digit of "Delay".
- d. Hold or repeatedly press the "Increase" pushbutton until the second digit increments to "6".
- e. Touch the "Select" pushbutton to select the "Extension" digit.
- f. Hold or repeatedly press the "Increase" pushbutton until the digit shows "4".
- g. Hold "Start" to start the extension running (Running mode). The "Running" LED will begin to flash once every second while the extension is running.

After the 16 hours delay has elapsed, the relay output will be activated for 4 hours (also shown by the "On" LED illuminating for those 4 hours).

Additional Operating Guidelines

- a. An active extension may be cancelled at any time by holding down the "Select/Start" button for 2 seconds.
- b. An extension may be started immediately by selecting a delay of zero.