

PJP PUSH BUTTONS

APPLICATION

PJP - push buttons are made for low voltage applications. Mains voltage applications (controlling e.g. motors and lights) are possible by using auxiliary relays.

FUNCTION

PJP push buttons have changeover contacts and clear removable covers for custom texts and symbols. Desired texts or symbols can be installed under the covers. Signal lamps can be connected to the ac / dc supply. The anode (+ terminal) is common for the signal lamps of PJP 2 and PJP 4.



PJP1



PJP4

Model Types

Model	Description
PJP1	PJP1 Low Voltage Push Button, 1 button and LED
PJP2	PJP2 Low Voltage Push Button, 2-buttons and 2 LEDs
PJP4	PJP4 Low Voltage Push Button, 4-buttons and 4 LEDs

Technical Data

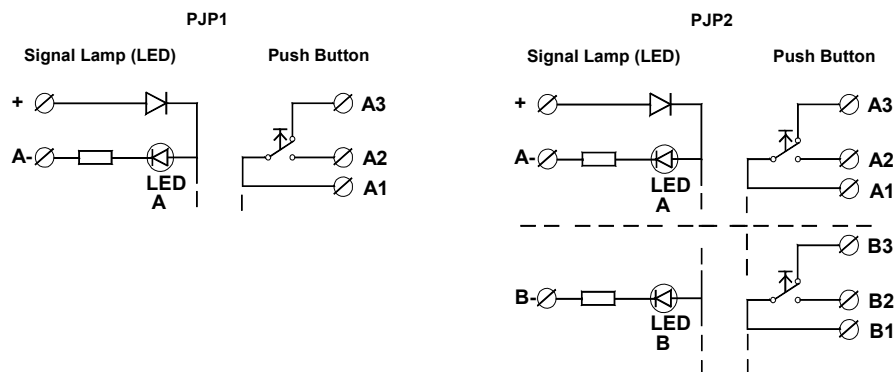
Switch Rating	
- maximum voltage	42Vac, 60Vdc
- maximum current	0.8A
- maximum power	9 W
Signal Lamp	
- luminous intensity	40 mcd/45sr
- colour	green
- maximum voltage	24Vac, 35Vdc
Housing	White Plastics
Protection Class	IP20

Wiring Terminals



Caution

The electrical installation, device connection and commissioning can only be carried out by qualified professionals and according to the local wiring regulations!



The above diagrams illustrate the wiring for the PJP1 and PJP2. PJP4 follows the same principle but there are in total four LED and push button wiring terminal blocks.

Dimensions

